

CBX Series

Industrial Connection Boxes

Highlights

CBX Series are industrial connection boxes designed to speed up installation, configuration and maintenance tasks of Datalogic Automation's 1D/2D code readers. The complete range of optional modules provides connectivity to the most common fieldbus systems while extending communication capabilities.

• COST EFFECTIVE

CBX Series features an extremely low cost of ownership by reducing installation time, and, in case of replacement, minimizing system downtime. CBX Series is the standard connectivity solution for Datalogic Automation product offer.

• EASE OF INSTALLATION

Installation is simplified thanks to accessible through-holes for mounting screws with closed box. Optional adapters are available for fast fixing to Bosch profiles and DIN rail mounting.

• EASE OF WIRING

Pinout standardization simplifies wiring to the appropriate terminal block. In addition, the accessible spring clamps allow easy cabling operation.

• EASE OF MAINTENANCE

Fast access to service interface allows comfortable analysis and sw parameters optimization alongside with standard reading operation. When quick and reliable replacement is needed, CBX Series takes advantage of the optional Backup module. This memory unit simplifies Backup and Restore procedures while granting secure and rapid replacement.

• INDUSTRIAL FEATURES

CBX Series features IP65 (NEMA 4) protection class and an operating temperature up to +50 °C (+122 °F). With its specific plastic and rubber materials, CBX100LT dedicated model features an operating temperature down to -35°C (-31°F).



Features

- Standard connectivity solution for Datalogic Automation offer
- Extreme low cost of ownership
- IP65 (NEMA 4) rated industrial design
- Flexible mounting and simplified wiring to speed up the installation
- Reliable Backup and Restore feature to minimize plant downtime
- Open architecture allows comfortable connectivity to Ethernet TCP/IP, Profibus, DeviceNet, Ethernet/IP and other common networks.
- Multilanguage Display for easy monitoring and troubleshooting
- Visible Power and I/O indicators and convenient Power on/off switch
- Time saving through comprehensible networking with the periphery
- Time saving through Ease-of-use and fast installation
- Code reader diagnosis and monitoring through display
- Rapid and simple troubleshooting

Applications

- Manufacturing
- Shop Floor
- Warehousing

CBX Series

Specifications

Models

P/N	Description
93A301067	CBX100 CONNECTION BOX COMPACT
93A301068	CBX500 CONNECTION BOX MODULAR
93A301069	CBX100LT CONNECTION BOX COMPACT LOW TEMP.

Accessories

P/N	Description	CBX100	CBX500
93ACC1808	BM100 BACKUP MODULE	CBX100	CBX500
93ACC1809	BM150 DISPLAY MODULE		CBX500
93ACC1851	BM200 ETHERNET TCP/IP MODULE		CBX500
93ACC1852	BM210 ETHERNET TCP/IP IP65 MODULE		CBX500
93ACC1810	BM300 PROFIBUS MODULE		CBX500
93ACC1814	BM400 DEVICENET MODULE		CBX500
93ACC1811	BM310 PROFIBUS IP65 MODULE		CBX500
93ACC1812	BM500 ETHERNET MODULE		CBX500
93ACC1813	BM510 ETHERNET IP65 MODULE		CBX500
93ACC1840	BM520 ETHERNET IP54 MODULE		CBX500
93ACC1815	BM600 CAN OPEN MODULE		CBX500
93ACC1816	BM700 PROFINET MODULE		CBX500
93ACC1813	BM510 ETHERNET IP65 MODULE		CBX500
93ACC1845	BM1100 CC-LINK MODULE		CBX500
93ACC1848	BM1200 MODBUS TCP MODULE		CBX500
93ACC1849	BM1210 MODBUS TCP IP65 MODULE		CBX500
93ACC1821	BA100 DIN RAIL ADAPTERS	CBX100	CBX500
93ACC1822	BA200 BOSCH ADAPTERS	CBX100	CBX500
93ACC1847	BA900 TWO CABLE GLANDS PANEL		CBX500
93ACC1827	ADP-FF1 GENDER CHANGER 25P F/F (5PCS)	CBX100	CBX500

Technical Data

	CBX100	CBX500
Dimensions (L x W x H):	128 x 137 x 62 mm	193 x 180 x 71 mm
Weight:	380 g. (13.40 oz.)	780 g. (27.5 oz.)
Power Supply:	10 to 30 VDC	
Power Consumption:	2.5 W max	
Operating Temperature:	0 to 50 °C (32 to 122 °F)	
Storage Temperature:	-20 to 70° C (-4 to 158° F)	
Humidity:	90% non condensing	
Protection Class:	IP65	
Shock Resistance:	EN 60068-2-27 30G; 11ms; 3 shocks on each axis	
Vibration Resistance:	EN 60068-2-6 1.5mm; 10 to 55 Hz; 2 hours on each axis	
Display & Keypad:	20 x 4 characters & 3 keys	
Diagnostic Leds:	Power On/Polarity Error, Trigger, IN2, OUT1, OUT2	
Communication Protocol:	Datalogic Application Driver (DAD Driver)	
Handshaking:	Message fragmentation and flow control	
Address Setting:	HW Switches, Genius™, VisiSet™	
Exchange Memory For I/O Data:	Up to 128 bytes	
Compatible devices:	CBX100 DS2100N, DS2400N, DS4800, DS6300, DS6400, DX6400, DS8100A, DX8200A, MATRIX-2000™, MATRIX 200™, MATRIX 400™	CBX500 DS2100N, DS2400N, DS4800, MATRIX 200™, MATRIX 400™

Accessories



Backup Module



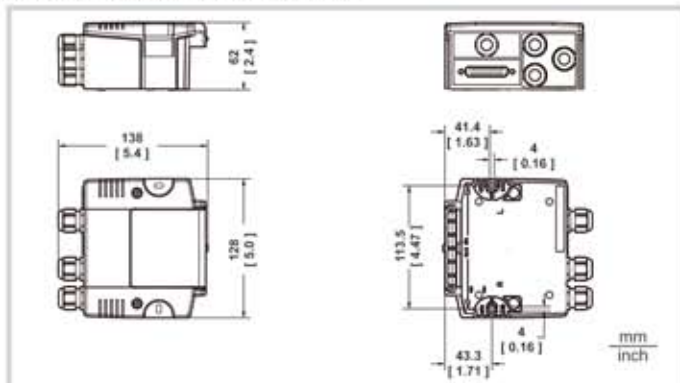
Fieldbus Module



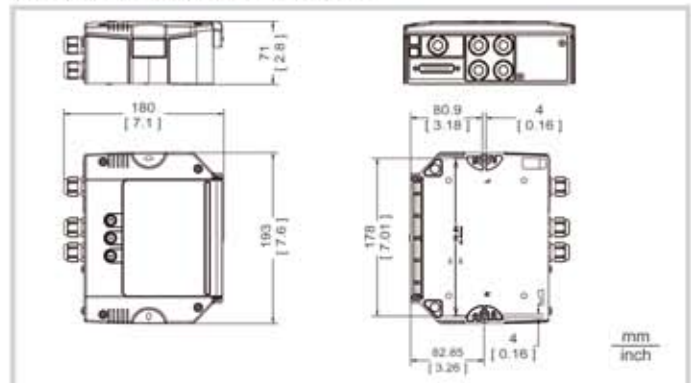
Display Module

Dimensions

CBX100 CONNECTION BOX COMPACT



CBX500 CONNECTION BOX MODULAR



Product and Company names and logos referenced may be either trademarks or registered trademarks of their respective companies. We reserve the right to make modifications and improvements.

November 2008



For more information and software downloads see: www.automation.datalogic.com/CBXSERIES

DATALOGIC™

DATALOGIC AUTOMATION