

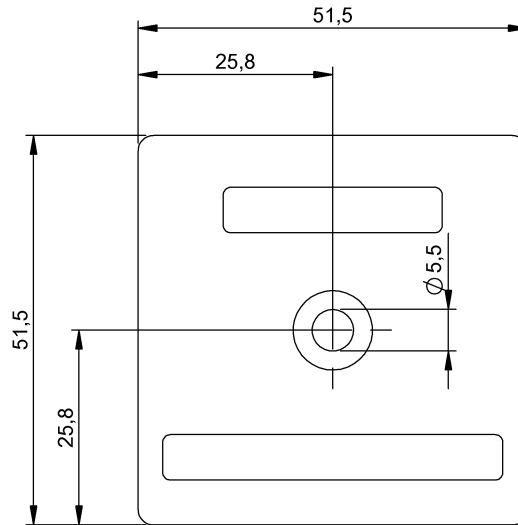
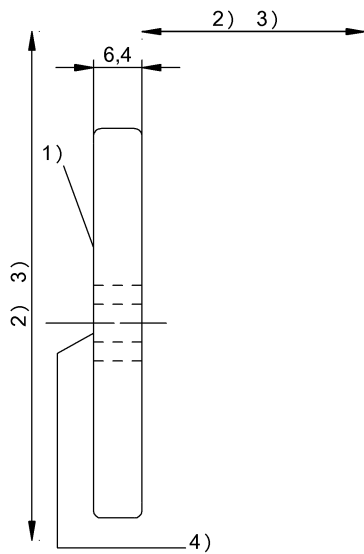
BIS M-135-03/L
Ordering code: BIS00Y5

Data carrier
BIS M (HF, 13.56 MHz)

112 bytes/8 byte (read only)
Clear zone

BALLUFF

sensors worldwide



Characteristic data

Enclosure Type per IEC 60529 IP68

Electrical data

Memory capacity read/write 112 bytes
 Memory capacity read-only 8 byte
 Data retention time / years ≥ 10
 Read cycles Unlimited
 Memory organisation 28x4 bytes

Mechanical data

Ambient temperature -20...+85 °C
 Storage temperature -40 °C ... +85 °C
 Housing material ABS BLACK

Antenna type	Round
Free fall	EN 60068 Part 2-32
Shock rating	EN 60068 Part 2-27
Continuous shock load	EN 60068 Part 2-29
Vibration rating	EN 60068 Part 2-6
Application weight	25 g

Remarks

For installation in metal: Observe clear zone.
 Time specification includes data check.
 For application conditions refer to corresponding read/write head.
 Only when used together with the appropriate read/write head.
 Values are under rated conditions unless otherwise specified.

