

MASSER

PRECISION

BT Caliper



Masser BT Caliper is rugged precision instrument designed for various forestry measurement applications.

Ergonomic and light weight aluminium construction combined with low power consumption gives long working hours in forest.

Icon based user interface is easy to learn ensuring fast and reliable data input.

MASSER - Precision calipers

MASSER

PRECISION

BT Caliper 50/65/80



BT Caliper can be equipped with different options for various measurement and data collections tasks. BT concept allows to upgrade the unit afterwards if there is a need for new features. Basic economic version works as remote data terminal connected into the field computer or mobile phone via Bluetooth. With an optional data collection capability the caliper can be used in various forestry applications as a stand alone unit. Optional inbuilt electronic clinometer makes the inventory work productive. BT Caliper can be connected to an other caliper via Bluetooth to measure simultaneously diameters from both ends and the length of the log in top-root method (Smalian). Equipped with ultrasound distance unit the BT Caliper can measure either distance to the tree for height measurement or measure automatically points for diameters in harvester calibration. For marking the measured trees an optional spray can holder or marking pen holder helps the job.

Masser BT Caliper is a expandable measuring and data collection platform. Create your own device by selecting needed accessories, you do not pay for unwanted features. Masser BT concept utilises icon based user interface on a large, white background LCD display. You can develop your own data collection applications by Masser Creator Pro or you can simply load freeware applications from Masser home pages. User friendly and easy to learn user interface guarantees easy to use software applications.

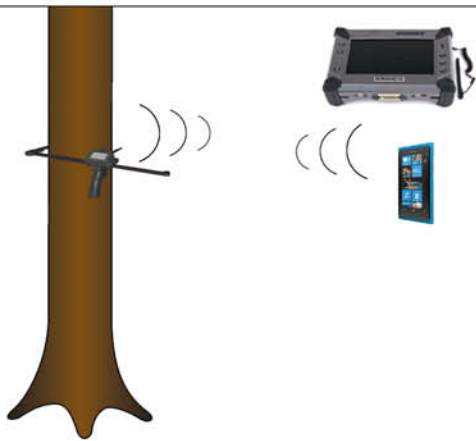
Masser BT Caliper is light weight and ergonomic tool for all imaginary data collection applications in the forestry.

Technical specifications

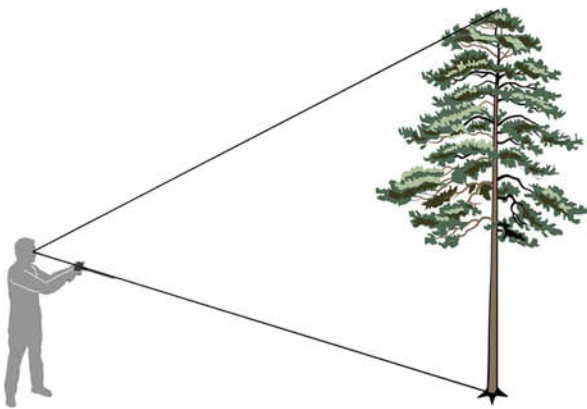
Measuring range	0-500 mm 0-650 mm 0-800 mm
Accuracy	+/- 1mm
Measuring principle	Magnetic
Weight	1.2 kg batteries included
Operating temperature	-20°C to +40°C
Storage temperature	-30°C to +60°C
Sealing	Waterproof IP67
Display	128 x 64 pixel graphic LCD with backlight
Communications	Bluetooth class 1 (100m)
Power	2 x AA 1.5 V batteries (Alkaline, NiMh, Lithium)

We reserve the rights to change the specifications of our products caused by modifications in research and development

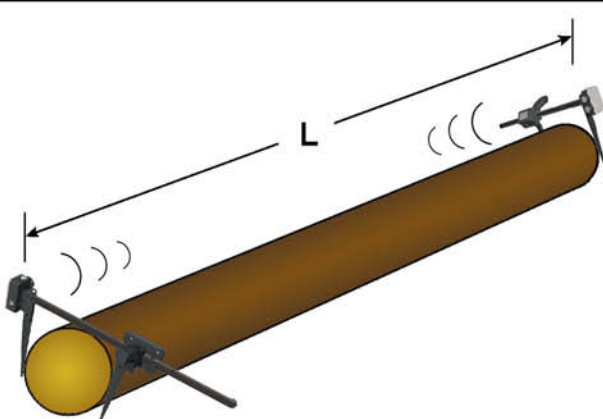
MASSER OY
Jämytie 1
FIN-96910 Rovaniemi, Finland
Tel. +358 400 904 500
Fax +358 16 282 554
www.masser.fi



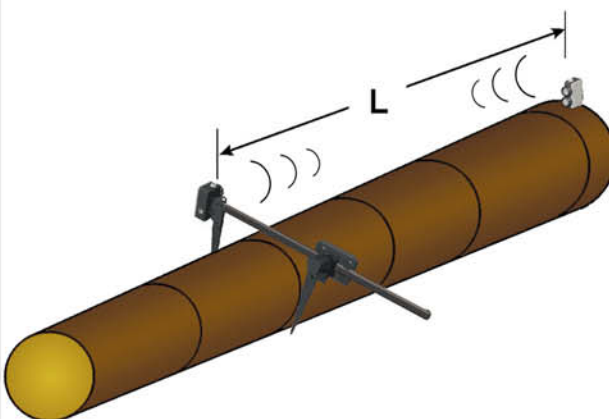
Wireless data collection



Height measurement



Length and diameter measurement



Automatic measuring points for diameters