



The DM3610 is a compact, overhead dimensioning unit that automatically measures the length, width, and height of packages as they are transported on a conveyor. The self-contained dimensioner is designed for simple installation and enables a range of applications across multiple markets including parcel, warehousing & distribution and airports. The DM3610 is certified in Legal-For-Trade applications and its highly accurate measurements make it the perfect solution for spatial management applications. Used in conjunction with barcode scanners and scales, the DM3610 improves operations for systems such as AS/RS, trailer cubing, manifesting and revenue recovery.



HIGHLIGHTS

Accurate dimensioning at high speed:

- NTEP certified accuracy of $\pm 0.2''$ for length and width and $\pm 0.1''$ for height at belt speeds up to 620 fpm
- OIML certified accuracy ± 5 mm for length, width and height at belt speeds up to 3.1 m/s

"Plug-and-Play" functionality:

- Simple parameter upload simplifies field replacement

Reliability:

- IP65 rating
- -10° - 50° C (14° - 122° F) operating temperature
- Industrial M12 connectors

APPLICATIONS

Typical DM3610 Dimensioning solutions address these industries and applications:

Courier, Express & Parcel (CEP)

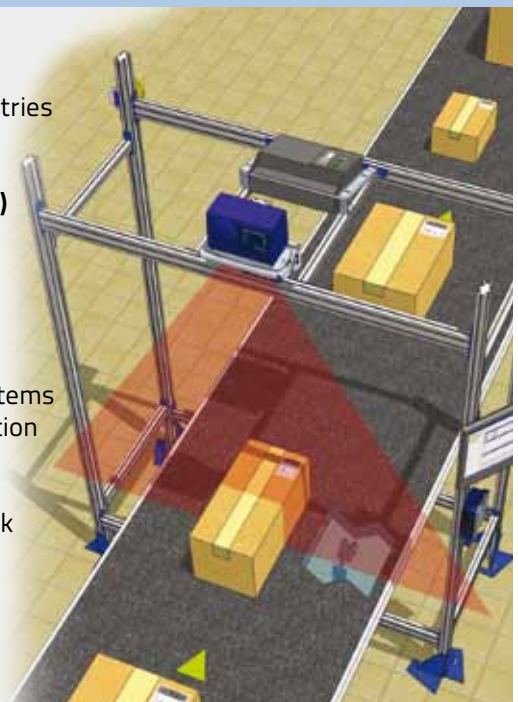
- Revenue recovery

Warehousing & Distribution

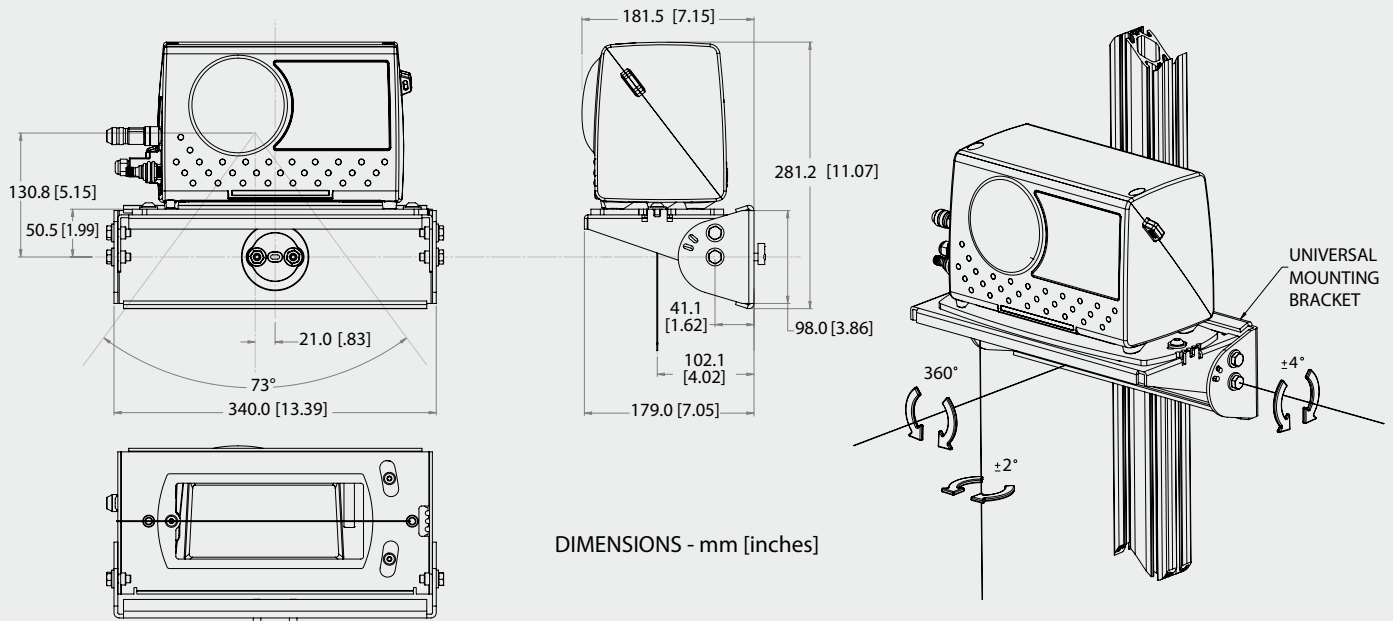
- AS/RS space allocation
- Trailer load planning
- Automated manifesting systems
- Side-by-side package detection

Airlines

- Out- of-gauge baggage check



MECHANICAL DRAWINGS



SPECIFICATIONS

TITLE	DESCRIPTION
Name	DM3610
Dimensioning Accuracy	± 0.2" for length and width and ± 0.1" for height ± 5 mm for length, width and height
<ul style="list-style-type: none"> ▪ NTEP ▪ OIML 	
Conveyor Speeds	Up to 3.1 m/s [620 fpm]
Box Size (maximum)	L 2500 mm [98"] x W 1200 mm [48"] x H 900 mm [36"]
Box Size (minimum)	L 2.4" x W 2.4" x H 1.2"
<ul style="list-style-type: none"> ▪ NTEP ▪ OIML 	L 50 mm x W 50 mm x H 50 mm
Laser Type	Visible laser diode (red) 660nm, CDRH Class II, IEC 60825-1 Class 3R
Overall Dimensions	L 279 mm [11.0"] x W 152 mm [6.0"] x H 175 mm [6.9"]
Mounting Dimensions	L 340 mm [13.39"] x W 182 mm [7.15"] x H 281 mm [11.07"]
Weight	5.5 kg [12 lbs.]
Temperature	Operating: -10° to 50° C [14° to 122° F] Storage: -20° to +70° C [-4° to +158° F]
Relative Humidity	10-90% non-condensing
Power Requirement	24VDC +/- 10%
Power Consumption	19 W Average (75 W Max) based on 600 scans/second
Enclosure	IP 65, Aluminum
Status Indicators	LEDs - STATUS, TRIGGER, TACH, READ, RX/TX, NETWORK, DIMENSION STATUS INDICATORS
Communication Interfaces	Ethernet (TCP/IP), RS232/ RS422/RS485
Inputs	(1) Tachometer, (1) Trigger, (2) SW programmable general purpose
Programming	On board HTML web server interface
Options	Side-by-side package detection, irregulars, out-of-gauge detection
Service Options	Installation services and on-site training
Warranty	2-year limited, parts and labor
Compliances	UL, cUL, FCC (Class A) CE
Certifications	NCWM/NTEP Certified, OIML/MID, WELMEC, Measurement Canada